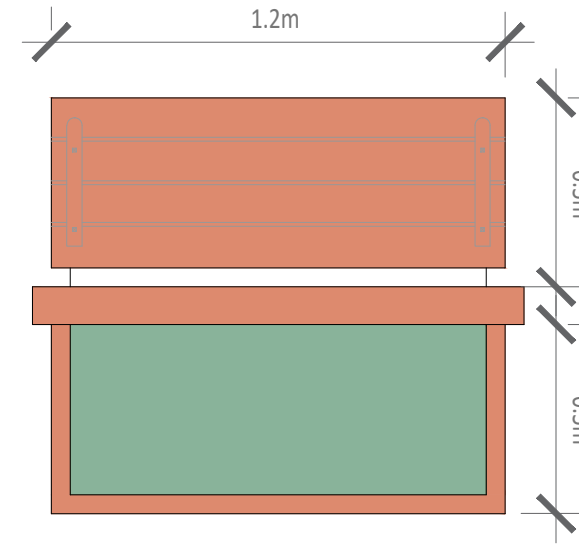
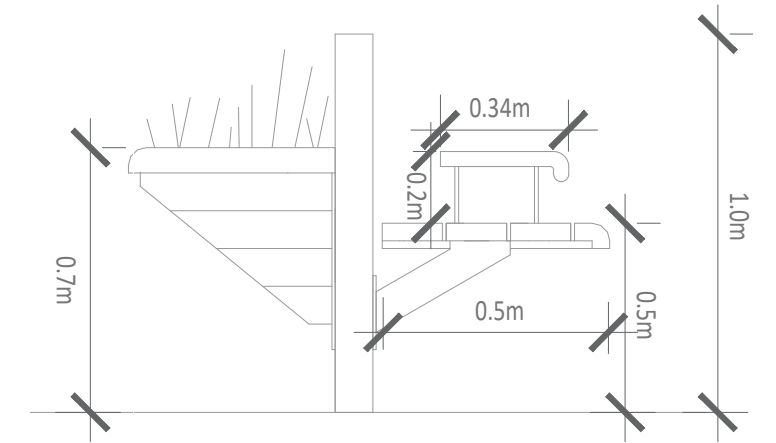


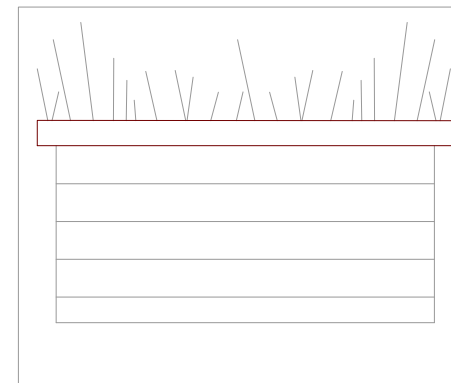
Proposed Planter Section 1:10



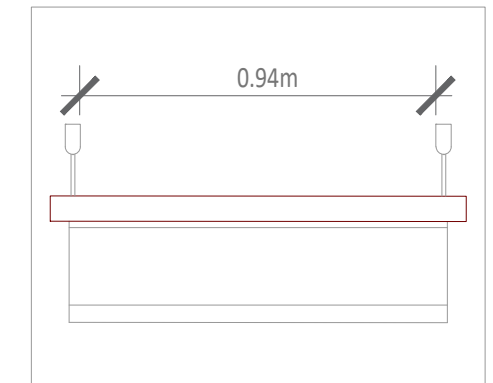
Proposed Planter Plan 1:20



Proposed Planter Side Elevation 1:20



Proposed Planter Front Elevation 1:20



Proposed Seating Front Elevation 1:20



**Copyright of Turley**

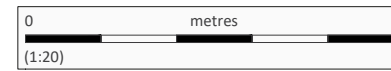
This drawing is for illustrative purposes only and should not be used for any construction or estimation purposes. To be scaled for planning application purposes only. No liability or responsibility is accepted arising from reliance upon the information contained within this drawing.



Reference Image - Planter element



Reference Image - Seating element



**CLIENT**  
Louth County Council

**PROJECT**  
Westgate 2040, Drogheda

**DRAWING**  
Detail Drawing 11 - Street Planter/Bench

**PROJECT NUMBER**  
LOUB3004

**DRAWING NUMBER**  
LOUX3001-P-000-139-A

**AUTHOR**  
AW

**REVISION**  
B

**STATUS**  
Final

**DATE**  
September 2023

**SCALE**  
As Noted @ A3

**ADDRESS**  
Turley  
40 Queen Square,  
Bristol  
BS1 4QP

